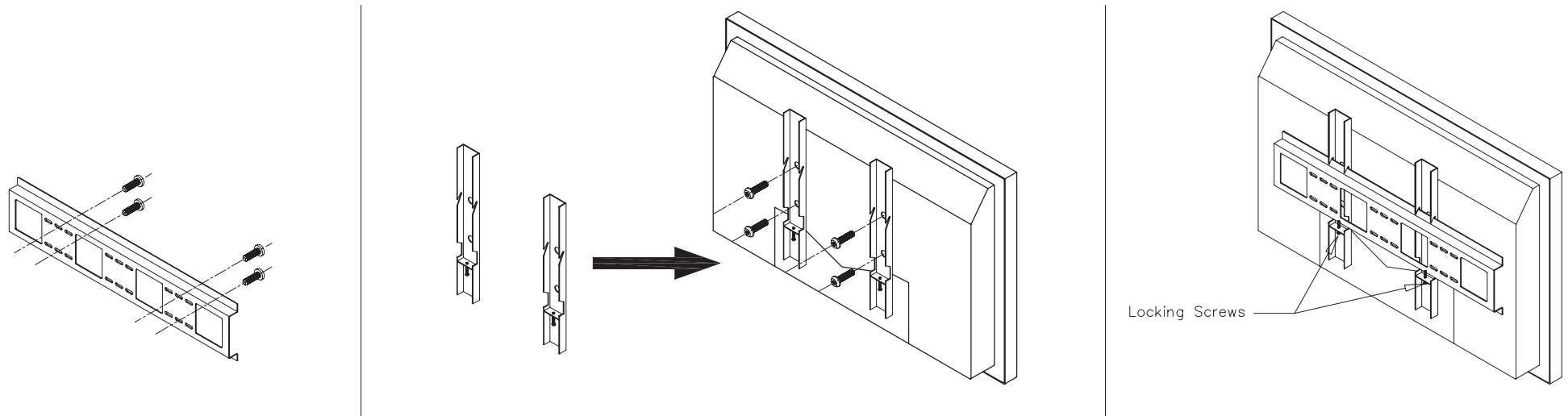


1. Attach the wall-mount section of the VESA bracket to the wall with the 4 x screws provided.
2. Attach the TV-mount section of the VESA bracket to the back of the television with the provided screws.
3. Simply offer the television up to the wall and slide the two brackets into one another, and then fix securely in place using the locking screws.



Installation Data					
Product	32"	42"	47"	55"	65"
Wall Bracket Compliance	VESA 250 x 150mm	VESA 400 x 200mm	VESA 400 x 250mm	VESA 400 x 300mm	VESA 600 x 300mm